

TEAC

SERVICE MANUAL

CT-M680st

29" CTV

Effective: September, 1996.

CTM680SERV

SPECIFICATION

SYSTEM	:	PAL- B/G	(FOR AUSTRALIA)
		----- TV SECTION -----	
CHANNEL COVERANGE			
VHF LOW	:	0-5	CH.
VHF HIGH	:	5A-11	CH.
UHF	:	21-65	CH.
FREQUENCY RANGE			
VHF LOW	:	47-108	MHz
VHF HIGH	:	137-230	MHz
UHF	:	470-830	MHz
VISION/SOUND SEPARATION	:	5.5	MHz
FREQUENCY VIDEO IF	:	38.9	MHz
SOUND IF	:	33.4	MHz
STEREO SENSITIVITY	:	40	dBuV
SENSITIVITY			
VHF LOW	:	47	dBuV
(AT 30dB S/N) VHF HIGH	:	47	dBuV
UHF	:	50	dBuV
SCANNING LINES	:	625	lines
HORIZONTAL	:	15625	Hz
VERTICAL	:	50	Hz
OUTPUT POWER MAXIMUM	:	4500	mW
10% THD	:	3000	mW
C R T .	:	29" DIAGONAL, 110° DEGREES DEFLECTION ANGLE	
SPEAKER	:	3x5" 8 OHM 7W x 2	
ANTENNAL EXTERNAL	:	75	OHM
POWER CONSUMPTION	:	120 WATT MAX	

VIF ALIGNMENT

A. Preparation Step (See Fig. 1)

- (i) Connect AGC bias voltage to pin 10 at IC102, the DC supply should be turned off this time.
- (ii) Connect 14V B+ bias voltage to D404 (-) and Ground.
- (iii) Connect 14V B+ bias voltage to C923 (+) and Ground.
- (iv) Connect sweep generator to tuner test point and Ground.

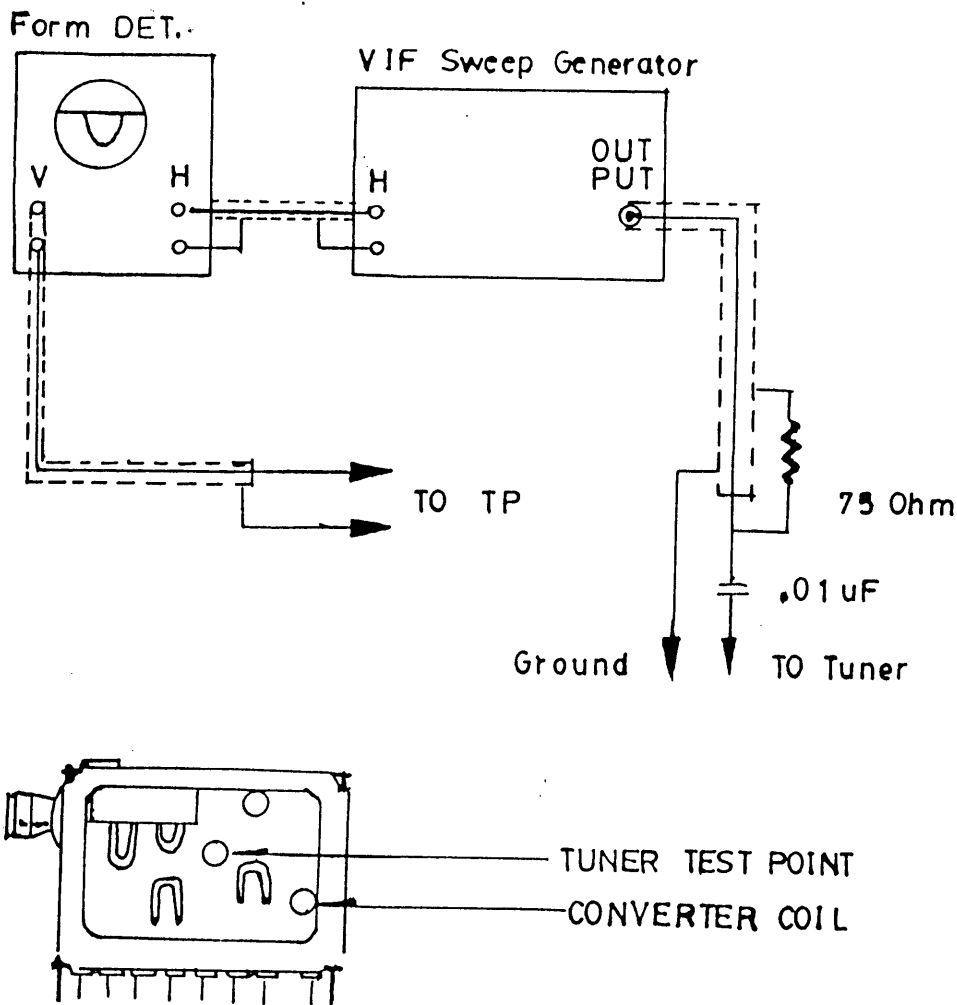


Fig.1

B. Tank Coil Alignment Step (See Fig. 2)

- (i) Calibrate the Division of waveform Detector equal to 100 mV per div.
- (ii) The output of sweep generator should be -50dB.
- (iii) Connect the waveform detector between L103 and Ground.
- (iv) Adjust AGC bias until the output waveform equal to 1V p.p. (10 div.)

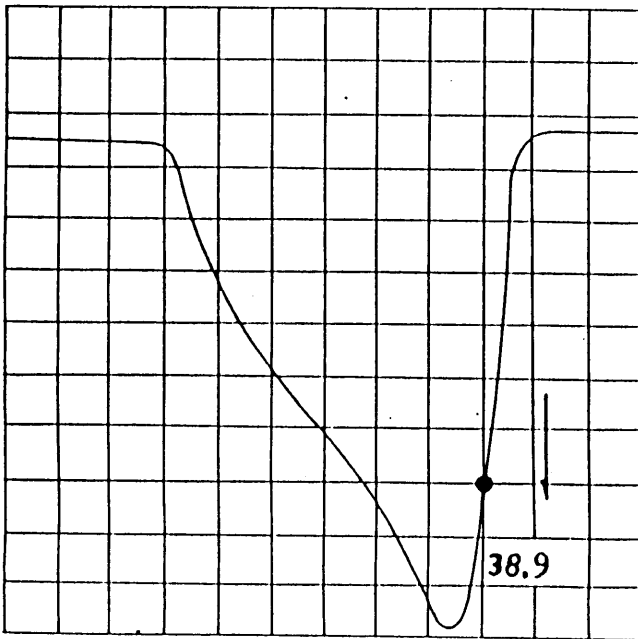


Fig. 2

- (v) Turn T101 until the marker 38.9MHz falls to the lowest point as Fig.2.

C. VIF ALIGNMENT

- (i) Connect waveform detector to L103 and Ground.
- (ii) Connect 100 ohm resistor between TP103 and TP104.
- (iii) Adjust T105 until obtain the maximum waveform amplitude.
(If Provided.)
- (iv) Reduce output level of sweep generator to -50dB.
- (v) Adjust AGC bias to maintain the waveform achieve 1V p-p.
- (vi) Adjust tuner convertor coil to obtain the waveform as Fig.3.

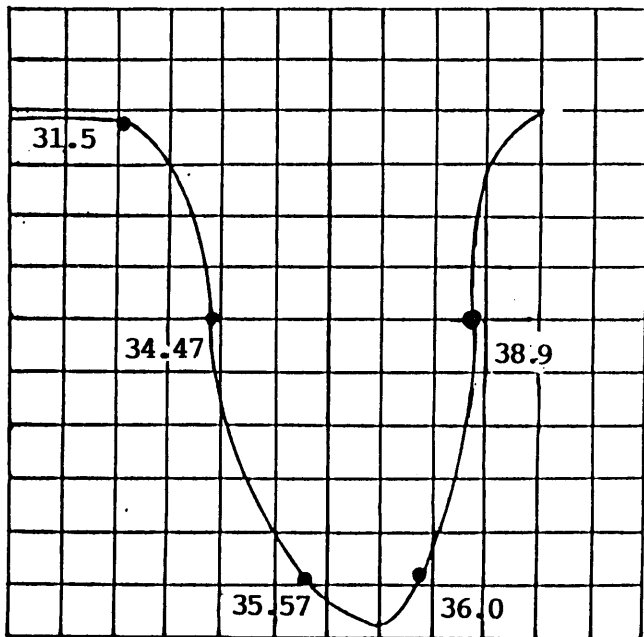


Fig. 3

D. AFC ALIGNMENT

- (i) Connect Philips Pattern Generator to tuner test point and Ground (Frequency is 38.9 MHz color bar)
- (ii) Connect Digital multimeter to PIN 18 at IC102.
- (iii) Adjust T101 to obtain a DC 6V.

E. SOUND TANK COIL ALIGNMENT

- (i) Connect Philips Pattern Generator to tuner test point and Ground (Frequency is 38.9 MHz color bar)
- (ii) Connect Digital multimeter to PIN 12 at IC101.
- (iii) Adjust T103 to obtain a DC 2.8V.

F. SIF ALIGNMENT

- (i) Connect the sweep generator to TP105.
- (ii) Connect waveform detect to PIN 1 and PIN 3 at CN306
- (iii) Connect AGC Bias voltage to TP101.
- (iv) The output of sweep generator should be -40dB.
- (v) Adjust T104 and T102 to obtain the waveform as Fig.5.

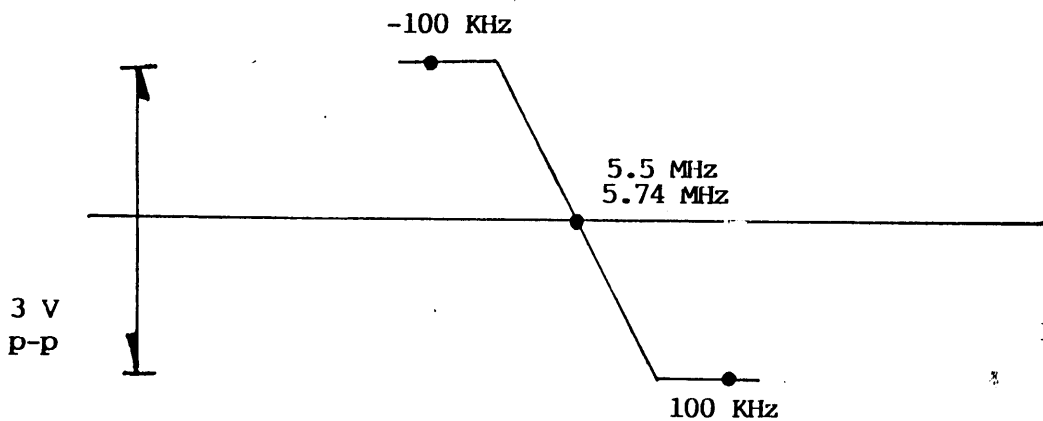


Fig. 5

H. Separation Alignment

- (1) Receive color bar pattern (with stereo sound, L 3 KHz R 1 KHz).
- (2) Connect Digital multimeter to PIN 1 at CN201 and ground.
- (3) Adjust volume control to obtain a 0.89 Vrms.
- (4) Switch off the left channel signal (3 KHz) from the signal generator.
- (5) Adjust VR060 to make a minimum output level.

B+ ADJUSTMENT

- 1) Connect a digital volt meter to TPB+ and ground.
- 2) Set Brightness, contrast and colour to minimum.
- 3) Adjust VR901 and obtain a reading of 143V.

HORIZONTAL CIRCUIT ADJUSTMENT

- 1) Receive Monoscope Pattern input signal 80dBuV.
- 2) Connect terminal 25 pin of IC102 and the ground with the Elect.Cap. 10/16
- 3) Adjust VR103 to obtain the picture running at center.
- 4) Adjust VR102 to obtain the picture at center.

VERTICAL CIRCUIT ADJUSTMENT

- 1) Receive the Monoscope Pattern.
- 2) Adjust V-size (VR401) to obtain a normal picture.

WHITE BALANCE ALIGNMENT STEP

(deguss the picture by deguassing coil if necessary)

- 1) Receive a channel from pattern generator, and switch off all pattern.
- 2) Turn the brightness, contrast and colour control to minimum.
- 3) Turn VR501,502,503,504,505 to central position.
- 4) Turn VR301 to central position and get a 2V DC voltage at L301.
- 5) Adjust screen control on flyback transformer, until no emission on CRT picture.
- 6) Adjust VR501,504,502 to get cut off balance. (black level balance)
- 7) Adjust VR503,505 to get white balance.

SUB-BRIGHTNESS ALIGNMENT

- 1) Receive a colour bar pattern.
- 2) Turn the brightness, contrast and colour to minimum.
- 3) Adjust VR301 until the brightest bar can just be seen.

FOCUS ALIGNMENT

- 1) Set the brightness and contrast to middle position.
- 2) Receive a monoscope pattern.
- 3) Adjust focus control to obtain sharpest picture.

AGC ALIGNMENT

- 1) Receive CH69 (UHF) and input field strength in 63dB \pm 3dB input.
- 2) Adjust VR101 to the point where noise is disappeared.

EAST-WEST CORRECTION ADJUSTMENT

FOR PAL SYSTEM

- 1) Receive a pattern with centre cross and crosshatch.
- 2) After vertical size adjustment, adjust VR403 for picture size, adjust VR402 for correction.

FOR NTSC SYSTEM

- 1) Receive a pattern with centre cross and crosshatch from AV input.
- 2) Adjust VR404 for E-S correction.

VOLTAGE TABLE FOR IC

SYMBOL PIN NO.	IC102 (V)	IC101 (V)	IC307 (V)	IC401 (V)	
1	5.1	1.7	6.5	2.2	
2	2.8	2.1	7.2	0.00	
3	3.7	2.5	6.5	1.6	
4	3.4	0.937	7.22	0.00	
5	3.9	1.82	9.65	0.13	
6	0.0	2.17	9.6	25.0	
7	11.5	2.17	4.34	1.9	
8	5.5	1.8	3.45	4.35	
9	5.5	1.8	0.00	24.34	
10	2.4	4.1	4.38		
11	1.88	4.1	0.00		
12	2.46	2.79	2.32		
13	3.0	0.04	11.5		
14	1.5	1.67	5.7		
15	2.29	1.77	3.36		
16	0.0	2.95	7.9		
17	3.5	0.03	2.5		
18	6.28	0.00	7.6		
19	6.18	5.15	2.8		
20	5.6	1.78	7.68		
21	5.6		2.7		
22	9.4		5.47		
23	2.8		7.2		
24	2.9		1.26		
25	4.5				
26	0.787				
27	1.18				
28	3.3				

NOTE : VOLTAGE ARE TAKEN UNDER TUNED CONDITION WITH

CONTRAST : Maximum Position
 BRIGHTNESS : Maximum Position
 COLOR : Maximum Position
 SIGNAL INPUT : 80 dBuV
 CHANNEL SETTING : The Last Channel of UHF High
 SIGNAL PATTERN : Colour Bar

VOLTAGE TABLE FOR IC

SYMBOL PIN NO.	IC302 (V)	IC303 (V)	IC304 (V)	IC305 (V)	IC306 (V)
1	3.649	5.2	3.29	4.1	5.56
2	0	0	11.8	0.03	0.00
3	3.65	4.07	8.2	3.39	0.00
4	3.65	0.00	0.00	3.39	0.00
5	3.65	3.966	7.8	2.5	0.627
6	3.68	3.904	0.1	4.8	0.00
7	3.68	0.00	0.00	4.18	0.87
8	0.004	0.00	0.00	4.26	0.00
9	0.115	4.3	4.3	4.97	5.5
10	0.01	4.06	4.1	11.4	0.00
11	3.027	0.39	2.9	2.34	3.01
12	0.0	5.28	0.00	10.0	3.01
13	2.99	5.3	0.00	0.00	0.00
14	11.838	0.00	4.06	1.2	1.36
15	0.016	4.63	4.09	7.4	0.00
16	2.98	4.6	2.3	3.7	1.37
17		3.46	2.06	0.00	
18		0.00	0.00	0.00	
19		0.00	3.36		
20		3.8	3.33		
21		0.00			
22		4.578			
23		0.00			
24		5.315			
25					
26					
27					
28					

NOTE : VOLTAGE ARE TAKEN UNDER TUNED CONDITION WITH

CONTRAST : Maximum Position
 BRIGHTNESS : Maximum Position
 COLOR : Maximum Position
 SIGNAL INPUT : 80 dBuV
 CHANNEL SETTING : The Last Channel of UHF High
 SIGNAL PATTERN : Colour Bar

VOLTAGE TABLE FOR TRANSISTOR							
SYMBOL	B (V)	C (V)	E (V)	SYMBOL	B (V)	C (V)	E (V)
Q101	10.2	10.9	11	Q307	10 mV	11.1	0
	11.1	0	11.1	Q308	10 mV	11.1	0
Q102	10.9	3 mV	11	Q401	0.4	8.4	0
	11	3 mV	11.1	Q402	-0.1	113	0
Q103	0.6	5 mV	0	Q403	1.7	10.9	0.1
	30 mV	11	0	Q404	10.8	0.6	11.4
Q104	36 mV	11	0	Q405	0.6	9.1	11.4
	36 mV	11	0	Q406	10 mV	1.7	1.2
Q105	1	8	0.3	Q503	11.3	139	10.8
Q106	12 mV	2.4	0	Q551	10.8	136.5	10.8
Q107	30 mV	11	0	Q552	11.3	132	10.8
	0.64	46 mV	0	Q554	3.3	10.8	2.7
Q108	11	0.1	11	Q555	3.2	10.8	2.6
	10.2	11	11.1	Q556	3.2	10.8	2.6
Q109	3.7	11	3.1	Q601	0.6	1.1	0
Q201	18.6	18	18	Q602	0.6	56 mV	3 mV
Q302	1.9	1.7	0	Q603	8.6	10.9	8.3
Q303	42	80.8	0	Q604	2 mV	0.25	0
Q304	3.8	11.1	3.1	Q605	0.26	1.1	0
Q305	50 mA	11.1	10 mV	Q905	0.6	0.6	0
Q306	-3	10.5	0	Q909	-36.4	202	-35
				Q910	-31	-30	-31
				Q911	-26	-30	-31
				Q912	-22	-18.4	-30

NOTE : VOLTAGE ARE TAKEN UNDER TUNED CONDITION WITH
 CONTRAST : Maximum Position
 BRIGHTNESS : Maximum Position
 COLOR : Maximum Position
 SIGNAL INPUT : 80 dBuV
 CHANNEL SETTING : The Last Channel of UHF High
 SIGNAL PATTERN : Colour Bar

PROGRAM ID : TVSTDCST

Print Date : 25/09/96

Page Number : 1

<< B.O.M. TV STANDARD PRICE LIST FOR CUSTOMER >> - CURRENCY (USD)

PRODUCT CODE : 9629T0-260002-TV

CT-M6805T

DESCRIPTION : TEAC PAL/BG W/SCART/NTSC/F.TXT/G.STEREO 426U GREY 240V SAA

ASSEMBLY NUMBER	DESCRIPTION
155-931308-00-04	HANDSET ASS'Y RC:9313 W/G.STEREO/F.TXT
180-9629T0-26-02	NON-COM PART ASS'Y (PAL/BG W/SCART/NTSC/
180-9629T0-26-0P	COM PART ASS'Y (PAL/BG W/SCART/NTSC/F.TX

** THIS SPARE LIST IS MADE FOR TECHNICAL / MAINTENANCE REFERENCE ONLY **

Component Description / Location
Part

*** ASSEMBLY : 155-931308-00-04 HANDSET ASS'Y RC:9313 W/G.STEREO/F.TXT
 107-800455-46 455K HZ RESONATOR "WEI HAW"
 CF701
 113-101005-17 CARBON FILM RESISTOR 100 OHM 1/16W +-5%
 R704,706
 113-102005-17 CARBON FILM RESISTOR 1K OHM 1/16W +-5%
 R705
 113-103005-17 CARBON FILM RESISTOR 10K OHM 1/16W +-5%
 R702
 113-109005-17 CARBON FILM RESISTOR 1 OHM 1/16W +-5%
 R708,710
 113-473005-17 CARBON FILM RESISTOR 47K OHM 1/16W +-5%
 R703
 113-682005-17 CARBON FILM RESISTOR 6.8K OHM 1/16W +-5%
 R701
 127-476042-03 ELECT. CAP. 47 MFD 16V +-20%
 C701
 130-600101-00 INFRARED EMITTER EL-1L1 KODENSHI
 LED701
 131-210719-29 TRANSISTOR 2SA719R/S MATSUSHITA
 Q702
 131-230945-00 TRANSISTOR 2SC945 NEC
 Q701
 133-803010-33 I.C. SAA3010T PHILIPS
 IC701
 172-626006-42 UL 1007 TOP COAT WIRE AWG 26 60MM RED 1.0 X 1.0 MM
 FROM REMOTE PCB '3V' TO BATTERY CONTACT PLATE '+'
 172-626008-40 UL 1007 TOP COAT WIRE AWG 26 80MM BLACK 1.0 X 1.0 MM
 FROM REMOTE PCB 'GND' TO BATTERY CONTACT PLATE '-'
 172-726000-99 BARE WIRE 54MM
 W701-702
 190-931302-02 REMOTE P.C.B.
 514-200407-10 SELF-TAPPING SCREW 2 X 7 B/T (HARDEN)
 FOR HANDSET
 515-260408-10 SELF-TAPPING SCREW 2.6 X 8 P/T(HARDEN)
 FOR HANDSET
 774-931301-00 BATTERY SPRING (+-)
 774-931302-00 BATTERY SPRING (+)
 774-931303-00 BATTERY SPRING (-)
 810-041104-13 POLYBAG 4" X 11" X 0.04MM W/RE-CYCLING MARK
 FOR HANDSET
 849-931303-00 CONTACT RUBBER KEY PAD (SHARP WELL)
 889-931310-00 HANDSET COVER PLATE
 FOR W/O LCD REMOTE
 892-931320-15 DIAL KEY PLATE - TEAC DESGIN (RC-630)
 900-931311-01 HANDSET TOP CABINET - MOULDED BLACK
 902-931311-01 HANDSET BOTTOM CABINET-MOULDEDBLACK
 910-931301-01 BATTERY DOOR - BLACK MOULDED
 964-931301-00 SENSOR LENS

Component: Description / Location
Part:

*** ASSEMBLY : 180-9629T0-26-02 NON-COM PART ASS'Y (PAL/BG W/SCART/NTSC/
002-129505-4A 29" CRT RCA A68AGA 20X505 (AUSTRALIA)
003-131424-02 TUNER OSCAR UVE33-W24/R16-3649MITSUMI
TUNER
008-900291-04 DEGAUSSING COIL 90T (W/FIVE LAYERS OF TAPE) FOR 29"
L903
107-731500-00 SAW FILTER TSB-5308U (SANYO)
SA102
107-738916-00 SAW FILTER TSF-5316 SANYO
SA101
113-153105-17 CARBON FILM RESISTOR 15K OHM 1/4W +-5%
R116,610
113-223101-67 METAL FILM RESISTOR 22K OHM 1/4W +-1%
R606
133-135246-33 I.C. SAA5246AP/E PHILIPS (M6)
IC801
166-287035-4H SPEAKER 3 X 5" 8 OHM 7W 'TCL' #YDT812-2B-SP
171-550084-02 84" AC LINE CORD (END-CUT)SAA APPW/7.5A PLUG.
186-227503-14 BATTERY 3A
PACKING IN GIFT BOX
191-401005-07 4 PIN SOCKET ASS'Y L=450MM
FOR CRT
610-932907-05 GIFT BOX - TEAC DESIGN (K3A3A3K)
618-882801-00 PACKING PAD (FOR POLYFOAM)
663-230313-96 SERIAL NO LABEL - DC:GT-313/96
1PC STUCK ON CTN , 1PC STUCK ON RATING
669-882801-4J RATING LABEL - TEAC DESIGN 240V
670-962900-13 I/MANUAL - TEAC (A) DESIGN (40 PROG.)
FOR NEXT ORDER
678-922109-02 EASY TUNE CARD (A) - TEAC DESIGN
678-931315-01 TOTAL CARE STICKER - TEAC DESIGN (BLK & WHITE)
STUCK ON BACK CABINET (FOR NEXT ORDER)
678-962901-03 SCREEN STICKER - TEAC DESIGN
690-922139-01 WARRANTY CARD- TEAC (A) DESIGN
693-962900-01 EAN CODE LABEL - 9313060006884
703-962901-01 SPEAKER GRILLE - MATT BLACK DOUBLE SIDE W/SPARY
800-962901-00 POLYFOAM TOP
800-962902-00 POLYFOAM TOP
800-962903-00 POLYFOAM BOTTOM
800-962904-00 POLYFOAM BOTTOM
884-932934-02 JACK COVER PLATE - TEAC DESIGN
884-962907-02 PRESET PLATE - BLK W/L.GREY SENG.STD. (14 KEY)
900-962901-05 FRONT CABINET - (426U) GREY
902-932911-03 BACK CABINET - MATT BLACK
919-962904-07 P/DOOR (PC MATERIAL) - TEAC DESIGN (W/CABLE RAEDY WORDING)
980-932922-00 JACK PLATE W/BRASS INSERT (521-882001-00 2PCS/SET)
986-882801-09 NAME PLATE - TEAC DESIGN

Component: Description / Location
Part:

*** ASSEMBLY : 160-9629T0-26-CP COM PART ASS'Y (PAL/BG W/SCART/NTSC/F.TXT)

001-229901-05	FLYBACK TRANSFORMER F27901-02 GOLDSTAR T402	
012-102340-06	SEMI-FIXED RESISTOR EVND6AA VR401,901	03813 1KB
012-104340-06	SEMI-FIXED RESISTOR EVND6AA VR101	03815 100KB
012-203340-06	SEMI-FIXED RESISTOR EVND6AA VR402,103	03824 20KB
012-301330-06	SEMI-FIXED RESISTOR EVND2AA VR503,505	03832 300B
012-502330-06	SEMI-FIXED RESISTOR EVND2AA VR502,504,501	03853 5KB
012-502340-06	SEMI-FIXED RESISTOR EVND6AA VR403,060,404	03853 5KB
012-503340-06	SEMI-FIXED RESISTOR EVND6AA VR102,301	03854 50KB
101-191009-96	HORIZONTAL DRIVE TRANSFORMER T401	(R1009)
101-268270-95	LINE FILTER LB28T270 L901	
101-490260-94	SWITCH POWER TRANSFORMER 26" T901	KB49C260 "HIGHLIGHT"
102-370600-02	TANK COIL / AFC COIL COILS T101	707851
102-671300-02	SOUND IF COIL, COILS 710256 T104,102	
102-671600-02	SOUND IF COIL KHC-823087 T103	"COILS"
102-770310-02	CHROMA FILTER KH-814657 T305	"COILS"
102-870500-02	DOISC COIL, COILS 707534 T303	
105-100103-02	FIXED INDUCTIVE COIL 10UH L102,601	+/-10% AXIAL TYPE
105-101103-08	FIXED INDUCTIVE COIL 100UH L501	+/-10% (WITTIS)
105-150101-02	FIXED INDUCTIVE COIL 15UH 10% L104	
105-150102-06	LINEARITY COIL 15UH FOR 29" L401	RCA CRT
105-201106-02	CHOKE COIL 200UH 10% CH9012- L903,904	201K (ELEC PRODUCT)
105-399103-08	FIXED INDUCTIVE COIL 3.9 UH L801	+/-10% (WITTIS)
105-689103-08	FIXED INDUCTOR COIL 6.8 UH L103	+/-10% AXIAL
105-821156-06	CHOKE COIL 820UH 0.37 OHM L402	HIGHLIGHT

Component Part	Description / Location	
105-828103-02	FIXED INDUCTIVE COIL 0.82UH L101	10% AXIAL TYPE
105-829103-08	FIXED CONDUCTOR COIL 8.2 UH L301,302,303	+10% AXIAL
106-210012-01	RELAY 12V OMIT-SS-112LM RLY901	ORIGINAL
107-104430-66	CHROMA TRAP CERAMIC FILTER CF302	4.43 MHZ WEI HAW
107-105500-66	SOUND TRAP CERAMIC FILTER CF103	5.5MHZ WEI HAW
107-305500-16	SOUND BYPASS CERAMIC FILTER CF102	5.5MHZ WEI HAW
107-305740-16	SOUND BYPASS CERAMIC FILTER CF101	5.74MHZ SFE-5.74MC MURATA
111-103201-23	VERIABLE RESISTOR 10K (EVU-E2A20B14 MATSUSHITA) VR302	
111-104281-2A	VERIABLE RES. W/CENTRE CHICK VR201	100K (VA09CVI U 20TMB100K HDK)
113-100105-17	CARBON FILM RESISTOR 10 OHM R601,119,108,140,803	1/4W +-5%
113-100505-75	METAL OXIDE FILM RESISTOR 10 R429	OHM 3W +-5%
113-101105-17	CARBON FILM RESISTOR 100 OHM R309,317,318,319,322,613,804,805,806,808,801,802	1/4W +-5%
113-101105-17	CARBON FILM RESISTOR 100 OHM R624,625,643,644,638,343,351,934,342,061,062	1/4W +-5%
113-101305-75	METAL OXIDE FILM RESISTOR 100 OHM R130	1W +-5%
113-102105-17	CARBON FILM RESISTOR 1K OHM R422,922,201,329,331,402,107,325,330,935,157	1/4W +-5%
113-102105-17	CARBON FILM RESISTOR 1K OHM R619,617,607,608,618,620,621,634,641,012,017,134	1/4W +-5%
113-102105-17	CARBON FILM RESISTOR 1K OHM R636,639,642,109,143,153,320,302,328,354	1/4W +-5%
113-102105-17	CARBON FILM RESISTOR 1K OHM R807,851,820	1/4W +-5%
113-102305-75	METAL OXIDE FILM RESISTOR 1K R414	OHM 1W +-5%
113-103101-67	METAL FILM RESISTOR 10K OHM R609	1/4W +-1%
113-103105-17	CARBON FILM RESISTOR 10K OHM R612,623,635,649,632,103,110,104,111,852	1/4W +-5%
113-103105-17	CARBON FILM RESISTOR 10K OHM R303,304,315,407,352,376,373,374,439	1/4W +-5%
113-103105-17	CARBON FILM RESISTOR 10K OHM R154,321,339,927,437,353,364,380,335	1/4W +-5%
113-103105-17	CARBON FILM RESISTOR 10K OHM R905	1/4W +-5%
113-104105-17	CARBON FILM RESISTOR 100K OHM R136,003,014	1/4W +-5%

Component Part	Description / Location
113-104305-75	METAL OXIDE FILM RESISTOR 100KOHM 1W +-5% R918
113-105101-67	METAL FILM RESISTOR 1M OHM 1/4W +-1% R358,812
113-109305-75	METAL OXIDE FILM RESISTOR 1 OHM 1W +-5% R410
113-120305-75	METAL OXIDE FILM RESISTOR 12 OHM 1W +-5% R909
113-120405-75	METAL OXIDE FILM RESISTOR 12 OHM 2W +-5% R917
113-122105-17	CARBON FILM RESISTOR 1.2K OHM 1/4W +-5% R602,344,121,122,064,063
113-122205-12	CARBON FILM RESISTOR 1K2 OHM 1/2W +-5% R420
113-123105-17	CARBON FILM RESISTOR 12K OHM 1/4W +-5% R132,408
113-150105-17	CARBON FILM RESISTOR 15 OHM 1/4W +-5% R102
113-151205-12	CARBON FILM RESISTOR 150 OHM 1/2W +-5% R936,411
113-152105-17	CARBON FILM RESISTOR 1.5K OHM 1/4W +-5% R150,152,423,850
113-153105-17	CARBON FILM RESISTOR 15K OHM 1/4W +-5% R616,401,605,372
113-153405-75	METAL OXIDE FILM RESISTOR 15K OHM 2W +-5% R137
113-153405-75	METAL OXIDE FILM RESISTOR 15K OHM 2W +-5% R510,511,505
113-154105-17	CARBON FILM RESISTOR 150K OHM 1/4W +-5% R133,002,013
113-154205-12	CARBON FILM RESISTOR 150K OHM 1/2W +-5% R433
113-158405-75	METAL OXIDE FILM RESISTOR 0.15OHM 2W +-5% R912
113-159405-42	NON-FLAMMABLE FUSE RESISTOR 1.5 OHM 2W +-5% R501
113-159905-51	WIRE WOUND CEMENT RESISTOR 1.5OHM 10W +-5% R924
113-181105-17	CARBON FILM RESISTOR 180 OHM 1/4W +-5% R310
113-182105-17	CARBON FILM RESISTOR 1.8K OHM 1/4W +-5% R904,628,629,630,631,148,306,308,311,350,349
113-182105-17	CARBON FILM RESISTOR 1.8K OHM 1/4W +-5% R205,207,816,817,814,815
113-183105-17	CARBON FILM RESISTOR 18K OHM 1/4W +-5% R424,340,604,615,438
113-184105-17	CARBON FILM RESISTOR 180K OHM 1/4W +-5% R151,156,431
113-202605-75	METAL OXIDE FILM RESISTOR 2K OHM 5W +-5% R416

Component Part	Description / Location
113-221105-17	CARBON FILM RESISTOR 220 OHM 1/4W +-5% R112,106,305,307,313
113-221305-75	METAL OXIDE FILM RESISTOR 220 OHM 1W +-5% R413
113-222101-67	METAL FILM RESISTOR 2.2K OHM 1/4W +-1% R146
113-222105-17	CARBON FILM RESISTOR 2.2K OHM 1/4W +-5% R141,652,332,066,067
113-222105-17	CARBON FILM RESISTOR 2.2K OHM 1/4W +-5% R507,509,513
113-223105-17	CARBON FILM RESISTOR 22K OHM 1/4W +-5% R129,312,314,655,406,208,209,346,365,614
113-224105-17	CARBON FILM RESISTOR 220K OHM 1/4W +-5% R333,653
113-229105-17	CARBON FILM RESISTOR 2.2 OHM 1/4W +-5% R125,327,334
113-229205-12	CARBON FILM RESISTOR 2.2 OHM 1/2W +-5% R139
113-229505-75	METAL OXIDE FILM RESISTOR 2.2 OHM 3W +-5% R203
113-229605-51	WIRE WOUND CEMENT RESISTOR 2.2 OHM 5W +-5% R944
113-270105-17	CARBON FILM RESISTOR 27 OHM 1/4W +-5% R115
113-270405-75	METAL OXIDE FILM RESISTOR 27 OHM 2W +-5% R910
113-271105-17	CARBON FILM RESISTOR 270 OHM 1/4W +-5% R147
113-272105-17	CARBON FILM RESISTOR 2.7K OHM 1/4W +-5% R142
113-272205-12	CARBON FILM RESISTOR 2.7K OHM 1/2W +-5% R502,504,503,415,428
113-273105-17	CARBON FILM RESISTOR 27K OHM 1/4W +-5% R155,603,810
113-274105-17	CARBON FILM RESISTOR 270K OHM 1/4W +-5% R430
113-331105-17	CARBON FILM RESISTOR 330 OHM 1/4W +-5% R901,336,337,338,368
113-332102-17	CARBON FILM RESISTOR 3.3K OHM 1/4W +-2% R907
113-332105-17	CARBON FILM RESISTOR 3.3K OHM 1/4W +-5% R611,645,647,363,367,360,427,370,822,809,633
113-333105-17	CARBON FILM RESISTOR 33K OHM 1/4W +-5% R118,127,128,114,117,144,421
113-334101-67	METAL FILM RESISTOR 330K OHM 1/4W +-1% R138
113-334105-17	CARBON FILM RESISTOR 330K OHM 1/4W +-5% R131
113-334305-75	METAL OXIDE FILM RESISTOR 330KOHM 1W +-5% R911

Component Description / Location

Part

Component Part	Description / Location
113-390505-75	METAL OXIDE FILM RESISTOR 39 OHM 3W +-5% R926
113-390605-75	METAL OXIDE FILM RESISTOR 39 OHM 5W +-5% R913
113-391105-17	CARBON FILM RESISTOR 390 OHM 1/4W +-5% R506,508,821
113-392105-17	CARBON FILM RESISTOR 3.9K OHM 1/4W +-5% R404
113-393105-17	CARBON FILM RESISTOR 39K OHM 1/4W +-5% R316,361
113-470105-17	CARBON FILM RESISTOR 47 OHM 1/4W +-5% R204,206
113-471105-17	CARBON FILM RESISTOR 470 OHM 1/4W +-5% R412,123,366,124
113-472105-17	CARBON FILM RESISTOR 4.7K OHM 1/4W +-5% R908,149,120,158,159,060,417,426,345,348,371,835
113-473105-17	CARBON FILM RESISTOR 47K OHM 1/4W +-5% R622,301,405,651
113-479105-17	CARBON FILM RESISTOR 4.7 OHM 1/4W +-5% R210,211
113-511105-17	CARBON FILM RESISTOR 510 OHM 1/4W +-5% R512
113-561105-17	CARBON FILM RESISTOR 560 OHM 1/4W +-5% R347,326,854
113-562105-17	CARBON FILM RESISTOR 5.6K OHM 1/4W +-5% R403,105,202,357,362,324
113-563105-17	CARBON FILM RESISTOR 56K OHM 1/4W +-5% R160
113-565210-92	CARBON COMPOSITION RESISTOR 5.6M OHM 1/2W +-10% R948,921
113-681105-17	CARBON FILM RESISTOR 680 OHM 1/4W +-5% R135,425,853
113-682102-17	CARBON FILM RESISTOR 6.8K OHM 1/4W +-2% R902
113-682105-17	CARBON FILM RESISTOR 6.8K OHM 1/4W +-5% R906,419
113-683105-17	CARBON FILM RESISTOR 68K OHM 1/4W +-5% R355,341
113-688305-42	FUSING RESISTOR 0.68 OHM 1W +-5% R435,434,916
113-688405-42	FUSEBLE RESISTOR 0.68 2W +-5% R914
113-750105-17	CARBON FILM RESISTOR 75 OHM 1/4W +-5% R929,930,931,932,928
113-820105-17	CARBON FILM RESISTOR 82 OHM 1/4W +-5% R418,101
113-821105-17	CARBON FILM RESISTOR 820 OHM 1/4W +-5% R126
113-822105-17	CARBON FILM RESISTOR 8.2K OHM 1/4W +-5% R923,903,626,460

Component Part	Description / Location
113-823105-17	CARBON FILM RESISTOR 82K OHM 1/4W +-5% R145,432
113-829605-75	METAL OXIDE FILM RESISTOR 8.2 OHM 5W +-5% R436
114-210262-00	THERMISTOR PTH451C262B TH901
123-100340-60	CERAMIC CAP. 10PF +-5% 50V (SL TYPE) C802
123-101350-60	CERAMIC CAP. 100 PF 50V +-10% (SL TYPE) C612,335,336
123-102350-90	CERAMIC CAP. 0.001 MFD 50V +-10% (B TYPE) C138,614,348,349,103,148,381,801
123-103370-90	CERAMIC CAP. 0.01 MFD 50V +80 -20% C102,117,126,330,147,118,361,363,358,359,357,360
123-103370-90	CERAMIC CAP. 0.01 MFD 50V +80 -20% R375,C352,110
123-104270-90	CERAMIC CAP. 0.1 MFD 25V +80 -20% C623,139,306,309,307,101,803,807,810,851,814
123-104270-90	CERAMIC CAP. 0.1 MFD 25V +80 -20% C065
123-121350-60	CERAMIC CAP. 120 PF 50V +-10% (SL TYPE) C301,302,303
123-122551-90	CERAMIC CAP. 0.0012 MFD 500V +-10% (B TYPE) MATSUSHITA C415
123-130340-93	CERAMIC CAP. 13PF 50V +-5% (NPO) C374
123-150340-93	CERAMIC CAP. 15 PF 50V +-5% (NPO) C808
123-151350-60	CERAMIC CAP 150 PF 50V +-10% (SL TYPE) C137
123-152850-10	CERAMIC CAP. 0.0015 MFD 2KV +-10% MATSUSHITA C433
123-209340-93	CERAMIC CAP. 2PF 50V +-5% (NPO) C378
123-220340-60	CERAMIC CAP. 22 PF 50V +-5% (SL TYPE) C616,617,618,620
123-220340-93	CERAMIC CAP. 22 PF 50V +-5% (NPO) C812,815
123-221350-60	CERAMIC CAP. 220 PF 50V +-10% (SL TYPE) C353,354,365,377
123-221551-90	CERAMIC CAP. 220 PF 500V +-10% MATSUSHITA C916
123-222466-41	CERAMIC CAP. 0.0022 MFD 400V +-20% ECK-DNS222MEX MATSUSHITA C917
123-222850-10	CERAMIC CAP. 0.0022 MFD 2KV +-10% MATSUSHITA C912
123-223370-90	CERAMIC CAP. 0.022 MFD 50V +80-20% C109,131,124,122,128,129,135,331,332,105,344,369
123-240340-93	CERAMIC CAP 24PF 50V +-5%(NPO) C373

Component Part	Description / Location
123-270340-60	CERAMIC CAP. 27 PF 50V +-5% (SL-TYPE) C114
123-270340-93	CERAMIC CAP. 27PF 50V +-5% (NPO) C613,628
123-271350-60	CERAMIC CAP. 270 PF 50V +-10% (SL TYPE) C342,343
123-330340-60	CERAMIC CAP. 33 PF 50V +-5% (SL TYPE) C366
123-331350-60	CERAMIC CAP. 330 PF 50V +-10% (SL TYPE) C341,504,502,503
123-390340-93	CERAMIC CAP. 39PF 50V +-5% (NPO) C630
123-391350-60	CERAMIC CAP. 390PF 50V +-10% (SL TYPE) C367
123-472350-90	CERAMIC CAP. 0.0047 MFD 50V +-10% (B TYPE) C918,920
123-472550-90	CERAMIC CAP. 0.0047 MFD 500V +-10% (B TYPE) C432,427
123-472552-90	CERAMIC CAP. 0.0047 MFD 500V +-10% (B TYPE) SMALL SIZE C904,903,906
123-472650-90	CERAMIC CAP. 4700 PF 1 KV C501,0914
123-680340-60	CERAMIC CAP. 68 PF 50V +-5% (SL TYPE) C380
123-681350-90	CERAMIC CAP. 680 PF 50V +-10% (B TYPE) C407
123-821850-10	CERAMIC CAP. 820 PF 2KV +-10% (SL TYPE) MATSUSHITA C913
124-224061-03	TANTALIUM CAP. 0.22 MFD 35V +-10% C603,115
125-361120-11	POLYSTYRENE CAP. 360PF 125V +-5% C150
125-391120-11	POLYSTYRENE CAP. 390 PF 125V +-5% C149
126-102071-01	MYLAR CAP. 0.001 MFD 50V +-10% C130,402,426
126-103071-01	MYLAR CAP. 0.01 MFD 50V +-10% C413,207,208
126-104071-01	MYLAR CAP. 0.1 MFD 50V +-10% C602,304,305,308,310,324,325,326,133,371,333,334
126-104071-01	MYLAR CAP. 0.1 MFD 50V +-10% C409,214,216,420,347,355,356,911,804,809,850
126-222071-01	MYLAR CAP. 0.0022 MFD 50V +-10% C610,624
126-223071-01	MYLAR CAP. 0.022 MFD 50V +-10% C321,322,323,375,376,806
126-223401-31	POLYPROPYLENE CAP. 0.022MFD 400V +-10% C431,434
126-224071-01	MYLAR CAP 0.22 MFD 50V +-10% C140,346,327,438,064

Component Part	Description / Location
126-272070-31	POLYPROPYLENE CAP. 0.0027 MFD 50V +-5% C141
126-333071-01	MYLAR CAP. 0.033 MFD 50V +-10% C907
126-334071-01	MYLAR CAP. 0.33 MFD 50V +-10% C143,145,368,372
126-472071-01	MYLAR CAP. 0.0047 MFD 50V +-10% C403,405
126-472160-41	METALLIZED POLYPROPYLENE CAP. 0.0047 MFD 1600V +-5% C430,414
126-473071-01	MYLAR CAP. 0.047 MFD 50V +-10% C134,370
126-473211-41	METALLIZED POLYPROPYLENE CAP 0.047 MFD 250V +-10% VDE C902,980
126-474201-31	POLYPROPYLENE CAP 0.47 MFD 200V +-10% C412
126-474211-41	METALLIZED POLYPROPYLENE CAP 0.47 MFD 250V +-10% VDE C901
126-683071-01	MYLAR CAP. 0.068 MFD 50V +-10% C423
127-105072-03	ELECT. CAP. 1 MFD 50V +-20% C107,142,350,132,816
127-105132-03	ELECT. CAP. 1 MFD 160V +-20% C425
127-106042-03	ELECT. CAP. 10 MFD 16V +-20% C202,621,601,615,619,626,622,351
127-106042-03	ELECT. CAP. 10 MFD 16V +-20% C203,312,328,329,316,317,315,314,318,336,340
127-106072-03	ELECT. CAP. 10 MFD 50V +-20% C909
127-106104-03	ELECT CAP. 10 MFD 100V +-20% 105°C C908
127-107042-03	ELECT. CAP. 100 MFD 16V +-20% C125,119,625,209,210,311,364,066,805,813
127-107062-03	ELECT. CAP. 100 MFD 35V +-20% C408,418
127-107132-03	ELECT. CAP. 100 MFD 160V +-20% "NICHICON" C417,927,926
127-108042-03	ELECT. CAP. 1000 MFD 16V +-20% C213,215
127-108052-03	ELECT. CAP. 1000 MFD 25V +-20% C217,201,429,923,436,441
127-225042-23	ELECT. CAP. BIPOLAR 2.2MFD 16V+-20% C062,063
127-225072-03	ELECT. CAP 2.2 MFD 50V +-20% C113,106,108,111,116,010,042,060,061
127-226042-03	ELECT. CAP. 22 MFD 16V +-20% C609
127-227042-03	ELECT. CAP. 220 MFD 16V +-20% C320,121,205

Component Description / Location

Part

Component Part	Description / Location
127-227062-03	ELECT. CAP. 220 MFD 35V +-20% C410
127-227402-03	ELECT. CAP. 220 MFD 400V +-20% (ø22MM-26MM) C905
127-228052-03	ELECT. CAP. 2200 MFD 25V +-20% C428,925
127-335071-05	ELECT. CAP. 3.3UF 50V +-10% (TIME CONSTANT) C404
127-335072-03	ELECT. CAP. 3.3 MFD 50V +-20% C127
127-336042-03	ELECT. CAP. 33 MFD 16V +-20% C144,921
127-336042-23	ELECT. CAP. BIPOLAR 33 MFD 16V+-20% W113
127-336252-03	ELECT. CAP. 33 MFD 250V +-20% C424
127-338062-03	ELECT. CAP. 3300 MFD 35V +-20% C411
127-475072-03	ELECT. CAP. 4.7 MFD 50V C607,608,604,136,337,211,212
127-475102-23	ELECT. CAP. BIPOLAR 4.7MFD 100V +-20% C419
127-476042-03	ELECT. CAP. 47 MFD 16V +-20% C401,204,206,345
127-476072-07	ELECT. CAP. 47 MFD 50V +-20% NICHICON C422
127-476094-07	ELECT. CAP. 47 MFD 63V +-20% 105°C "NICHICON" C910
127-477042-03	ELECT. CAP. 470 MFD 16V +-20% C146,922,120,313,919,416,421,818
127-478052-03	ELECT. CAP. 4700MFD 25V +-20% C406
130-134148-01	SILICON DIODE IN4148 D301,302,303,305,908,103,104,105,307,311,312,313
130-134148-01	SILICON DIODE IN4148 D602,601,606,607,608,609,603,304,801,805
130-240809-50	VARIABLE CAPACITANCE DIODE BB609 D102,101
130-310341-00	RECTIFIER DIODE 3JH41 TOSHIBA D402
130-310345-00	RECTIFIER DIODE 3JH45 TOSHIBA D403,906
130-310406-00	BRIDGE RECTIFIER RBV-406 SANKEN BR901
130-311545-60	RECTIFIER DIODE 1R5JH45 D404,907
130-314001-01	RECTIFIER DIODE 1N4001 D406
130-315295-00	RECTIFIER DIODE S5295G TOSHIBA D902,901,401,405,408,407,905

Component Part	Description / Location
130-410051-01	ZENER DIODE 5.1V 1/2W +-5% ZD102
130-410056-01	ZENER DIODE 5.6V ZD306
130-410082-01	ZENER DIODE 8.2V ZD903
130-410100-01	ZENER DIODE 10V 1/2W ZD401
130-410120-02	ZENER DIODE 12V HZ12A2 ZD307
130-410574-00	ZENER DIODE UPC 574J NEC ZD101
130-411091-01	ZENER DIODE 9.1V ZD904
130-422120-00	ZENER DIODE 1W 12V ZD402
130-512044-00	LED 3MM RED 204HDC LED603
131-210564-18	TRANSISTOR 2SA564AQ Q404
131-211015-00	TRANSISTOR 2SA1015 TOSHIBA Q101,102,108,802
131-220774-20	TRANSISTOR 2SB774/Q/R/S MATSUSHITA Q911
131-231809-00	TRANSISTOR 2SC1809 ROHM Q105
131-231815-25	TRANSISTOR 2SC1815 TOSHIBA Q103,107,912,910,602,302,301,004,005,801
131-231815-25	TRANSISTOR 2SC1815 TOSHIBA Q603,605,106,109,304,403,303,406,305,306,307
131-232230-00	NPN-TR 2SC2230A-Y (TOSHI) T092VCE=180V IC=.1A HFE=120-240 Q905
131-232482-00	TRANSISTOR 2SC2482 TOSHIBA Q401
131-233619-00	TRANSISTOR 2SC3619 Q501,502,503
131-234706-00	TRANSISTOR 2SC4706 SHIN HO Q909
131-241406-25	TRANSISTOR 2SD1406-Y TOSHIBA Q405
131-241406-27	TRANSISTOR 2SD1406-GR TOSHIBA Q201
131-241547-00	TRANSISTOR 2SD1547 TOSHIBA Q402
131-462369-00	TRANSISTOR PH2369 PHILIPS Q601
133-100352-33	I.C. CTV350S.GW2 PHILIPS IC601
133-102421-31	I.C. ST24C02AB1 SGS IC602

Component Description / Location
Part

133-103504-33	I.C. TDA3504 PHILIPS IC304
133-103857-33	IC TDA3857 PHILIPS IC101
133-104565-33	I.C. TDA4565 PHILIPS IC305
133-104650-33	I.C. TDA 4650 PHILIPS IC307
133-104665-33	I.C. TDA4665 (PHILIPS IC) IC306
133-108305-33	IC TDA8305A PHILIPS IC102
133-108416-33	I.C. TDA8416 PHILIPS IC060
133-108461-33	PHILIPS IC MA88461 IC804
133-108628-14	IC TA8628N TOSHIBA IC303
133-203654-33	I.C. TDA3654 (PHILIPS) IC401
133-204445-16	I.C. LA4445 SANYO IC201
133-207805-31	I.C. L7805CV SGS IC901
133-207812-31	IC L7812CV SGS-THOMSON IC103
133-304241-33	I.C. PC74HCT241P PHILIPS IC301
133-305114-31	I.C. TEA5114A SGS IC302
133-307688-67	I.C. GM76C88L-15 GOLDSTAR IC802
135-500002-00	REMOTE RECEIVER (HC-SZ02) OPT602
137-100000-31	CRYSTAL 10 MHZ HOORAY X601,060
137-270000-33	CRYSTAL 27 MHZ 16PF "GIC" X801
137-600000-22	CRYSTAL 6 MHZ NKG X802
137-715909-20	CRYSTAL 7.15909 MHZ X301
137-886723-20	CRYSTAL 8.86 MHZ KDS X302
145-100002-13	TACT SWITCH KSM0634A HDK S602,603,604,605,601,606,608,609,618,617,616,615
145-100006-14	POWER SWITCH PS5E-B "CHINA LANDMARK"
160-101001-08	PIN CONNECTOR 1 PIN PLUG STRAIGHT FOR CN501,901,902

Component Part	Description / Location	
160-102255-27	PIN CONNECTOR 2 PINS PLUG CN201	STRAIGHT (UL) (S.H.S)
160-102805-08	PIN CONNECTOR 2 PIN PLUG CN903	STRAIGHT
160-103255-27	PIN CONNECTOR 3 PINS PLUG CN202,002,004,005,304,306,802,803,602,302	
160-103805-08	PIN CONNECTOR 3 PIN PLUG CN402	STRAIGHT
160-104255-27	PIN CONNECTOR 4 PINS PLUG CN001,303,603	(SHS)
160-104805-08	PIN CONNECTOR 4 PIN PLUG CN401,904	STRAIGHT
160-105255-27	PIN CONNECTOR 5 PINS WAFER CN307	2.5 PITCH
160-106255-27	PIN CONNECTOR 6 PINS WAFER CN403,801,301	(SHS) S11-W
160-110255-27	PIN CONNECTOR 10 PINS PLUG CN404	
161-480105-32	RF CONNECTOR #KP-JJ (PAL) FOR ANT INPUT	MIKI
161-540105-01	CRT SOCKET HPS0199-01-020	(HOSIDEN) 29MM THICK
161-583702-22	21 PIN SOCKET J901	
172-620010-40	UL 1007 TOP COAT WIRE AWG 20 MAIN P.C.B. 'Q' TO 'Q'	100MM BLACK 10 X 10 MM
172-620014-40	UL 1007 TOP COAT WIRE AWG 20 'D1' TO 'D1', 'B1' TO 'B1'	140MM BLACK 10 X 10 MM
172-620014-43	UL 1007 TOP COAT WIRE AWG 20 MAIN P.C.B. 'J' TO 'J'	140MM ORANGE 10 X 10MM
172-622007-40	UL 1007 TOP COAT WIRE #22 70MM FOR ZD401 GND TO CN202 GND	BLACK 5 X 5 MM
172-626008-40	UL 1007 TOP COAT WIRE AWG 26 IC401 LUG TO MAIN PCB 'M', 'H' TO 'H'	80MM BLACK 10 X 10 MM
172-626008-40	UL 1007 TOP COAT WIRE AWG 26 Q909 LUG TO POWER PCB 'Z', Q402 LUG TO MAIN PCB 'K'	80MM BLACK 10 X 10 MM
172-626014-42	UL 1007 TOP COAT WIRE AWG 26 MAIN P.C.B. 'Z' TO 'Z'	140MM RED 10 X 10 MM
172-626014-42	UL 1007 TOP COAT WIRE AWG 26 MAIN P.C.B. 'Q' TO 'Q'	140MM RED 10 X 10 MM
172-626014-43	UL 1007 TOP COAT WIRE AWG 26 MAIN PCB 'S' TO 'S', 'T' TO 'T', 'U' TO 'U'	140MM ORANGE 10 X 10 MM
172-626016-43	UL 1007 TOP COAT WIRE AWG 26 MAIN P.C.B. 'F' TO 'F', 'W' TO 'W'	160MM ORANGE 10 X 10 MM
172-626016-43	UL 1007 TOP COAT WIRE AWG 26 FOR C441 GND TO CN02 GND	160MM ORANGE 10 X 10 MM
172-626018-43	UL 1007 TOP COAT WIRE AWG 26 MAIN PCB 'R' TO 'R', 'L' TO 'L'	180MM ORANGE 10 X 10 MM
172-626020-43	TOP COAT WIRE 200MM AWG 26 MAIN P.C.B. Y TO Y	ORANGE 10 X 10MM

Component Description / Location
Part

172-626024-41 UL 1007 TOP COAT WIRE AWG 26 240MM BROWN 10 X 10 MM
MAIN P.C.B. 'P' TO 'P','I' TO 'I','N' TO 'N'

172-726000-99 BARE WIRE 54MM
W001-024,026-061,063-112,114-129,131-136,140-141

172-726000-99 BARE WIRE 54MM
W143-144,146-148,150-153,155-161,163-165,230,231

172-726000-99 BARE WIRE 54MM
W167,168,904-906,901,902

172-726000-99 BARE WIRE 54MM
FOR G.STEREO PCB (IC001 PIN '12'TO'14','21'TO'23'

172-726000-99 BARE WIRE 54MM
R044,045,C002,023,W002,004-006,010,014,016-020)

172-726000-99 BARE WIRE 54MM
(W808-809,812-813,815-816,818-820)FOR TELETEXT PCB

172-830120-99 FLAT BRIDED WIRE
CRT GROUND

174-833026-50 DOUBLE SHIELD WIRE UL 2547 AWG28 260MM BLACK
MAIN P.C.B. 'A.B' TO 'A.B'

177-655053-02 2 PIN FLAT CABLE WIRE AWG 26 50MM
MAIN P.C.B. 'C.D' TO 'C.D'

179-001010-00 OIL SLEEVING 1 MM DIA.
40MM FOR R346,20MM FOR ZD402,10MM FOR C907

179-001010-00 OIL SLEEVING 1 MM DIA.
20MM FOR D402,20MM FOR D403,20MM FOR D906

179-105000-00 UL PVC TUBE 5MM DIA
FOR CN901,902

179-105000-00 UL PVC TUBE 5MM DIA
500MM FOR LEFT SPK.,700MM FOR RIGHT SPK.

179-403030-00 3MM DIA. SHRINKABLE TUBE
FOR 130MM SOLDERING LUG,70MM FOR AC LINE CORD

182-224000-03 FUSE T4A 250V
F901

184-350805-08 AXIAL LEAD BEAD INDUCTORS "COILS"
FB401,402,901

190-862000-00 P.C.BOARD CRT (250595)

190-882000-04 POWER SWITCH P.C.B. (270995)

190-932502-07 POWER P.C.B. (280595)

190-932904-08 21 PIN SOCKET P.C.B. (140295)

190-93290A-XB MAIN P.C.B. (120796)

190-93290A-XF TELETEXT P.C.B. (060596)

190-942003-09 NICAM/STEREO P.C.B. (281195)

191-011001-07 10 PINS SOCKET ASS'Y L=210MM (1-6 FLT CABLE,7-10 S.S.CABLE)
CN404,'1' TO 21 PIN PCB 'G',2 TO H,3 TO I,4 TO J

191-011001-07 10 PINS SOCKET ASS'Y L=210MM (1-6 FLT CABLE,7-10 S.S.CABLE)
5 TO K,6 TO L,7 TO M,8 TO N,9 TO O,10 TO P

191-100035-09 1 PIN SOCKET ASSM'Y L=400MM (DOUBLE INSULATION) BROWN
FROM POWER SWITCH TO CN901 ON POWER P.C.B.

191-100036-09 1 PIN SOCKET ASSM'Y L=400MM (DOUBLE INSULATION) BLUE
FROM POWER SWITCH TO CN902 ON POWER P.C.B.

Component Part	Description / Location
191-101007-07	1 PIN SOCKET ASS'Y L=350MM FOR CN501 TO CRT GND
191-201004-07	2 PINS SOCKET ASS'Y L=500MM CN202 '2' TO LEFT SPK. '+', '3' TO LEFT SPK. '-'
191-201006-07	2 PINS SOCKET ASS'Y L=700MM CN201 '1' TO RIGHT SPK. '+', '2' TO RIGHT SPK. '-'
191-301003-07	3 PINS SOCKET ASS'Y L=450MM CN402 '1' TO CRT P.C.B. 'J'
191-301003-07	3 PINS SOCKET ASS'Y L=450MM CN402 '2' TO CRT P.C.B. 'I'
191-301003-07	3 PINS SOCKET ASS'Y L=450MM CN402 '3' TO CRT P.C.B. 'H'
191-301202-07	3 PIN SOCKET ASSM'Y CN004 '1' TO CN306 '1', '2' TO '2', '3' TO '3'
191-301204-07	3 PIN SOCKET ASSM'Y CN005 TO CN803
191-301205-07	3 PINS SOCKET ASS'Y L=100MM CN002 '1' TO CN602 '1', '2' TO '2', '3' TO '3'
191-301214-07	3 PIN SOCKET ASS'Y L=240MM CN302 TO CN802
191-401014-07	4 PINS SOCKET ASS'Y L=350MM CN904 '1' TO POWER PCB '1', '2' TO '2', '3' TO '3'
191-401014-07	4 PINS SOCKET ASS'Y L=350MM '4' TO '4'
191-401201-07	4 PINS SOCKET ASS'Y L=60MM CN001 '1' TO CN303 '1', '2' TO '2', '3' TO '3', '4' TO '4'
191-500048-09	5 PIN SOCKET ASSM'Y L=480MM CN307 '1' TO CRT BOARD '1', '2' TO '2', '3' TO '3'
191-500048-09	5 PIN SOCKET ASSM'Y L=480MM '4' TO '4', '5' TO '5'
191-601007-07	6 PINS SOCKET ASS'Y L=210MM (1-6 PIN W/FLAT CABLE) CN403 '1' TO 21PIN PCB 'A', '2' TO 'B', '3' TO 'C'
191-601007-07	6 PINS SOCKET ASS'Y L=210MM (1-6 PIN W/FLAT CABLE) '4' TO 'D', '5' TO 'E', '6' TO 'F'
191-601201-00	6 PIN SOCKET ASS'Y CN301 TO CN801
402-522001-01	COAXIAL CABLE W/DIN, RCA 250MM FROM TUNER TO RF CONNECTOR
504-305006-10	MACHINE SCREW 3 X 6 B/M (WHITE) 2-POWER SWITCH MTG., 2-IC201, 1-IC901, 1-IC103
509-305010-00	MACHINE SCREW 3 X 10 KM (BLACK) JACK PLATE MTG.
514-303408-10	SELF-TAPPING SCREW 3 X 8 B/T (HARDEN) 2 FOR TELETEXT BOARD MTG.
514-400412-10	SELF-TAPPING SCREW 4 X 12 B/T (HARDEN) FOR HEAT SINK (A) TO FBT
514-400418-10	SELF-TAPPING SCREW 4 X 18 B/T (HARDEN) FOR CABINET MTG.
514-400435-10	SELF-TAPPING SCREW 4 X 35 B/T (HARDEN) FOR CABINET MTG. (BOTTOM)

Component Description / Location
Part

515-303410-10 SELF-TAPPING SCREW 3 X 10 W/B/T (HARDEN)
FOR 750-063102-01

515-303410-10 SELF-TAPPING SCREW 3 X 10 W/B/T (HARDEN)
14-M.PCB,7-POWER BOARD,8-SPK MTG.,2-SCART

517-303312-10 SELF-TAPPING SCREW 3 X 12 W/A W/H=7MM (HARDEN)
2 FOR IC401,1 FOR Q402,1 FOR BR901,1 FOR Q405

517-303312-10 SELF-TAPPING SCREW 3 X 12 W/A W/H=7MM (HARDEN)
1 FOR Q909

524-932901-01 CRT MOUNTING SCREW 7 X 40 VP (HARDEN)
FOR CRT MTG.

540-020030-01 EYELET 2 X 3 MM
T402 PIN '1'5'10',L401,Q402 'C',2 FOR L402

540-020040-01 BRASS EYELET 2X4MM
4 - PW.SW. PCB

580-101261-01 CABLE TIE L=100MM
2-CN402,2-CN307,16-DEGAUSSING COIL,2-FOR CN401

580-101261-01 CABLE TIE L=100MM
1 FOR FBT,1 FOR AC LINE CORD

580-101261-01 CABLE TIE L=100MM
2 - PW.SW.PCB,1 - SPK.CN201,202

580-101261-01 CABLE TIE L=100MM
1 FOR CN904,3 FOR MAIN PCB WIRE,2 FOR 21PIN CABLE

622-882802-00 FELT L240 X W17 X T0.5MM W/TAPE
7 FOR FRONT CAB.,2 FOR SPK.SIDE

630-114520-00 FIBRE WASHER
1 FOR FBT P/N:001-229901-05

630-115512-00 FIBRE WASHER 11 X 5.5 X 1.2 MM
FOR STEREO BOARD

661-932501-01 FUSE LABEL - ATAKI DESIGN (T4A/250V)

744-881301-00 SPRING FOR C.R.T. MOUNTING 5.2 X 42 X 0.6MM

746-063101-00 TEST PIN:TOTAL LENGTH 18.6MM THK:0.8MM
TP104,103

750-063101-00 SOLDERING LUG LEG:8X4MM
FOR IC401,Q402,Q904

750-063102-01 35MM SOLDERING LUG OD:7 ID:3.2 LEG:4X35MM
FOR AC LINE CORD, SPK. CONNECTOR

766-686801-00 FUSE HOLDER
F901

777-942702-00 SPRING IN ID11 X L23.5
FOR POWER KNOB

779-932501-00 IRON HEAT SINK
FOR IC901,IC103

779-932902-02 IRON HEAT SINK
FOR IC201

781-932501-02 ALUMINIUM HEAT SINK (POWER)
FOR Q909,BR901

781-932903-01 ALUMINIUM HEAT SINK (A)
FOR Q402

781-932909-01 ALUMINIUM HEAT SINK (L)
FOR Q405

Component: Description / Location
Part

781-932910-01 ALUMINIUM HEAT SINK (M)
FOR IC401

783-881306-01 SHIELD CAN COVER

783-881313-01 SHIELD CAN

810-052204-14 POLYBAG 5" X 22" X 0.04MM PD MAT W/RE-CYCLING MARK
FOR AC LINE CORD

810-091504-13 POLYBAG 9" X 15" X 0.04MM W/ RE-CYCLING MARK
FOR I/MANUAL

810-455304-14 POLYBAG 45"X53"X0.04MM W/PUNCHHOLE/RE-CYCLING MARK (P/O MAT)
FOR UNIT

826-432005-00 FOAM SHEET - 43" X 20" X 0.5MMTHK
FOR UNIT TOP

826-473505-00 FOAM SHEET - 47" X 35" X 0.5MMTHK
FOR UNIT BOTTOM

840-011024-21 PAD CORD L240 X W10 X T1 MM W/TAPE
FOR BETWEEN CRT AND FRONT CAB.,1-SPK SIDE

840-051030-11 RUBBER PAD (ONE SIDE W/TAPE)
FOR CRT

896-882101-00 POWER BOARD COVER (UL)

920-932901-U0 P.C.B. MTG. BRACKET

929-881301-00 LED HOLDER BKT
FOR LED603

938-882001-00 SECAM BOARD HOLDER
FOR STEREO BOARD

939-932010-00 POWER SWITCH ADAPTOR
FOR POWER SWITCH

948-882003-00 DOOR LOCKER
FOR FRONT CABINET

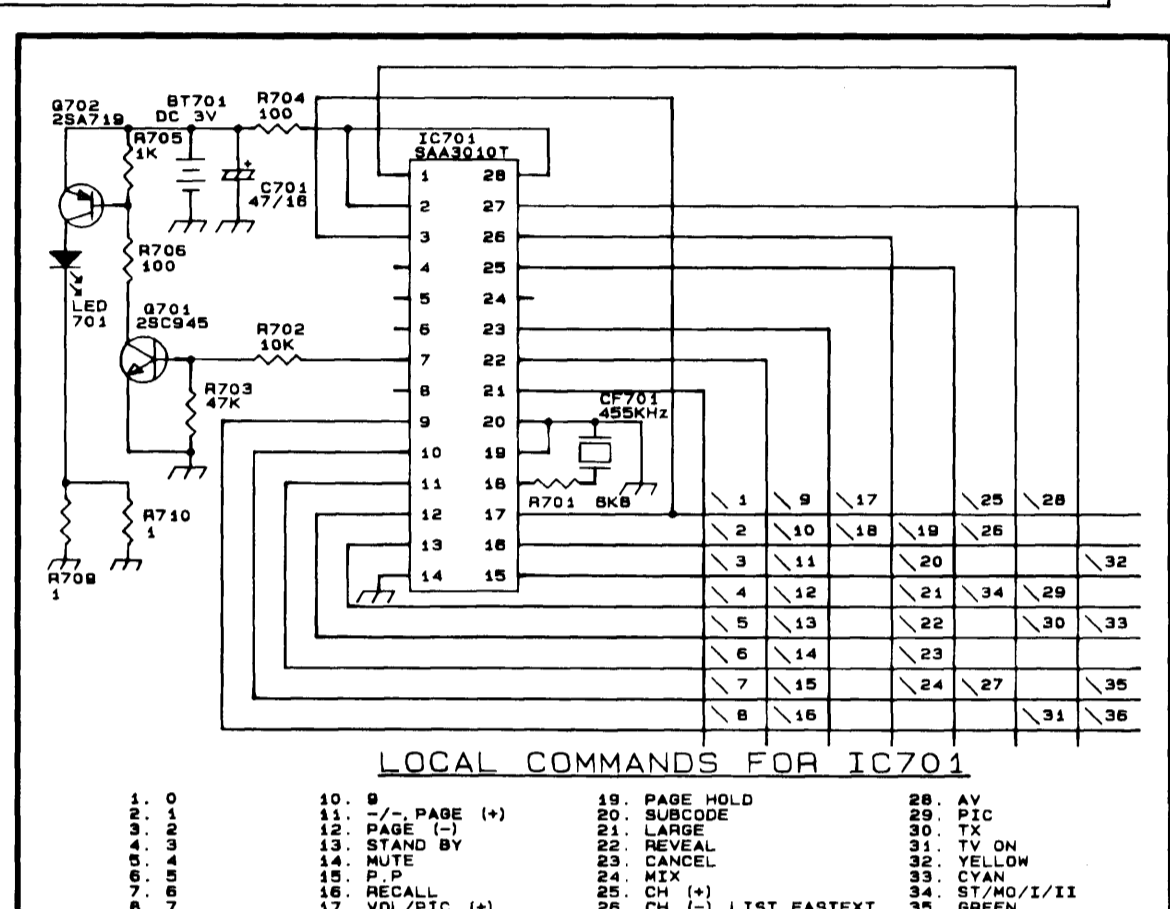
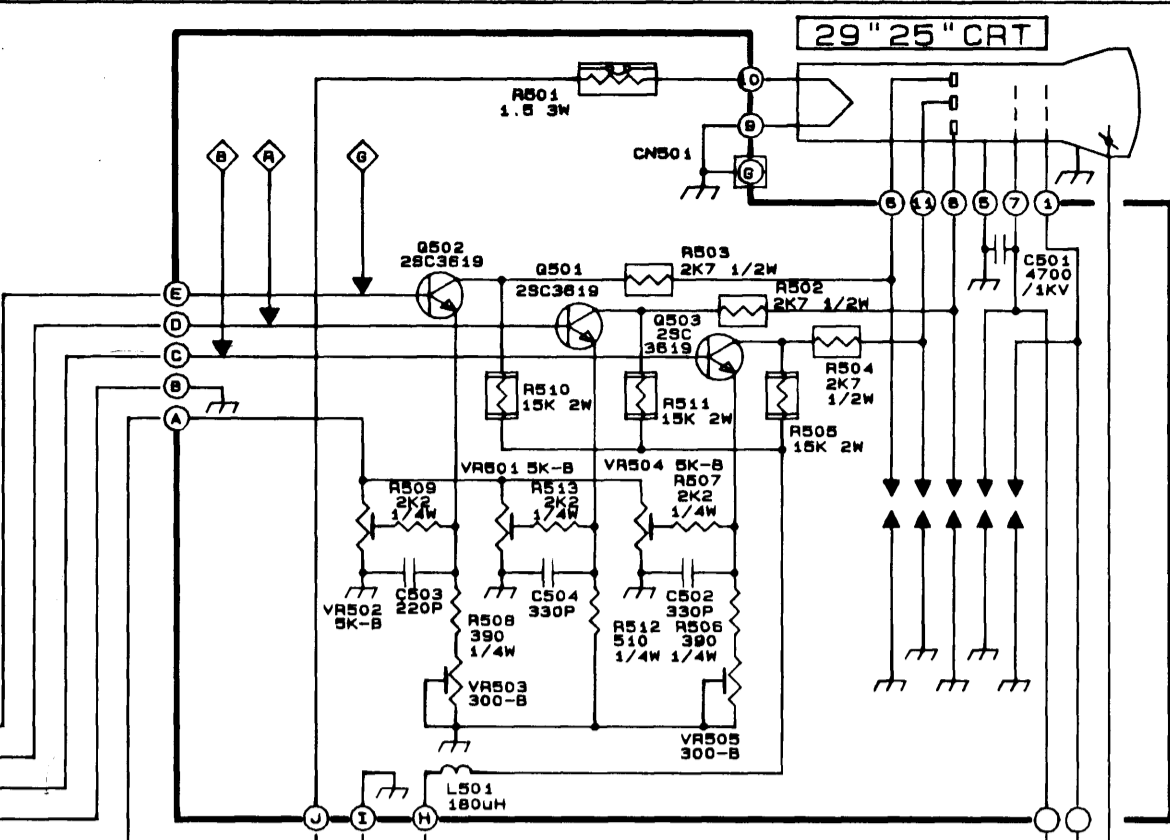
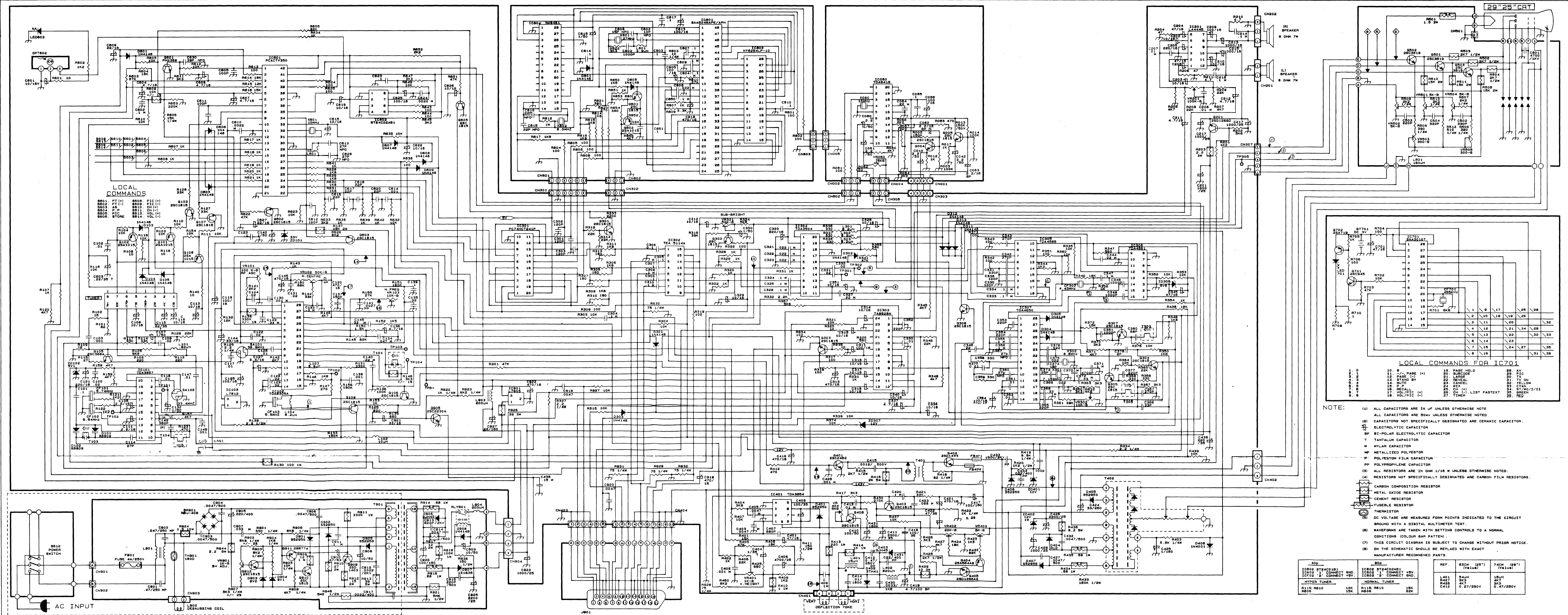
954-882100-00 AC LINE CORD CLIP

954-882803-00 HIGH VOLTAGE CABLE SPACER
FOR CRT

991-962901-00 POWER KNOB

NO PRICE ITEM : 1

*** END OF REPORT ***



- NOTE:
- (1) ALL CAPACITORS ARE IN μ F UNLESS OTHERWISE NOTED.
 - (2) ALL CAPACITORS ARE 50V UNLESS OTHERWISE NOTED.
 - (3) CAPACITORS NOT SPECIFICALLY DESIGNATED ARE CERAMIC CAPACITORS.
 - (4) E.C. = ELECTROLYTIC CAPACITOR
 - (5) E.P.-POL. = ELECTROLYTIC POLYMER CAPACITOR
 - (6) T. = TANTALUM CAPACITOR
 - (7) M. = MYLAR CAPACITOR
 - (8) NP. = METALLIZED POLYESTER
 - (9) PF. = POLYESTER FILM CAPACITOR
 - (10) PP. = POLYPROPYLENE CAPACITOR
 - (11) ALL RESISTORS ARE IN Ω UNLESS OTHERWISE NOTED.
 - (12) RESISTORS NOT SPECIFICALLY DESIGNATED ARE CARBON FILM RESISTORS.
 - (13) C. = CARBON COMPOSITION RESISTOR
 - (14) M.O. = METAL OXIDE RESISTOR
 - (15) CEMENT. = CEMENT RESISTOR
 - (16) F. = FUSIBLE RESISTOR
 - (17) THERM. = THERMISTOR
 - (18) DC VOLTAGE ARE MEASURED FROM POINTS INDICATED TO THE CIRCUIT GROUND WITH A DIGITAL MULTIMETER TEST.
 - (19) WAVEFORMS ARE TAKEN WITH SETTING CONTROLS TO A NORMAL CONDITION (LOCAL BAR PATTERN).
 - (20) THIS CIRCUIT DIAGRAM IS SUBJECT TO CHANGE WITHOUT PRIOR NOTICE.
 - (21) ON THE SCHEMATIC SHOULD BE REPLACED WITH EXACT MANUFACTURER RECOMMENDED PARTS.

REF.	DESCRIPTION	VALUE	REF.	DESCRIPTION	VALUE
IC801	IC801	100K	IC901	IC901	100K
IC802	IC802	100K	IC902	IC902	100K
IC803	IC803	100K	IC903	IC903	100K
IC804	IC804	100K	IC904	IC904	100K
IC805	IC805	100K	IC905	IC905	100K
IC806	IC806	100K	IC906	IC906	100K
IC807	IC807	100K	IC907	IC907	100K
IC808	IC808	100K	IC908	IC908	100K
IC809	IC809	100K	IC909	IC909	100K
IC810	IC810	100K	IC910	IC910	100K

